



AC-Check

Two-Port AC Voltage Check Module

Overview

AC-Check is a two-port AC voltage check module. This module can sense the presence of 220 Vac voltage and send the status to Netsense box through a data port. High voltage is isolated from data line by using optoisolators to ensure safety and zero interference.

By using this module with Netsense box, the status of AC voltage can be monitored and stored in our server. Moreover, alert notification can be set in web based application on www.mmnetcenter.com.

Using this module with Netsense box is easy. No software configuration is required. Just plug and play.

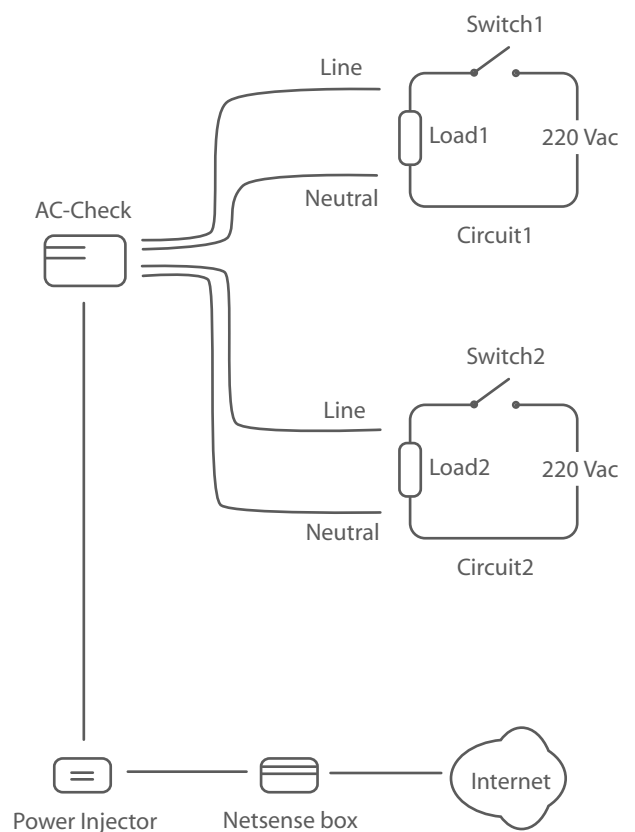
To power up the AC-Check module, please check out Power Injector Module.

Applications

- High/Low pressure switch monitoring
- Relay status monitoring
- On/Off switch monitoring

Features

- Two ports of 220 Vac voltage check
- High voltage isolation using optoisolators
- Plug and play with Netsense box
- No software configuration
- Utilizing web base application on www.mmnetcenter.com to monitor, log, and alert



Specifications

- Ports: 220 Vac voltage check x 2, Data x 1
- Dimension: 8.5 x 6 x 2.5 cm

Contact

Email: contact@mmnetcenter.com
 Tel: +66 2930 2930
www.mmnetcenter.com